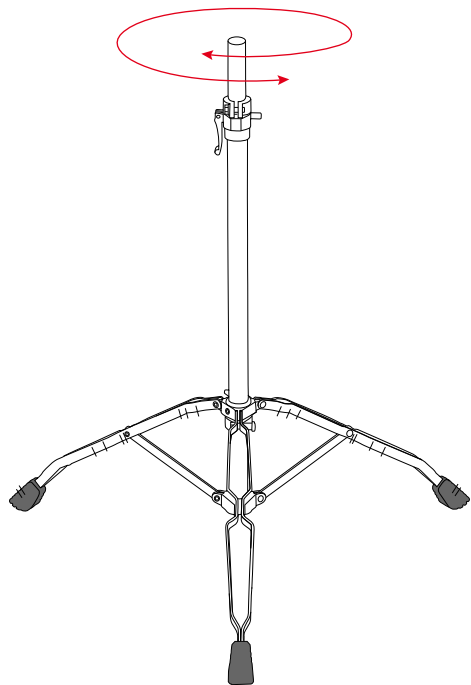
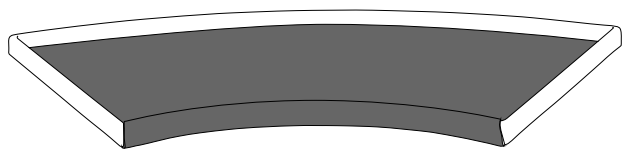




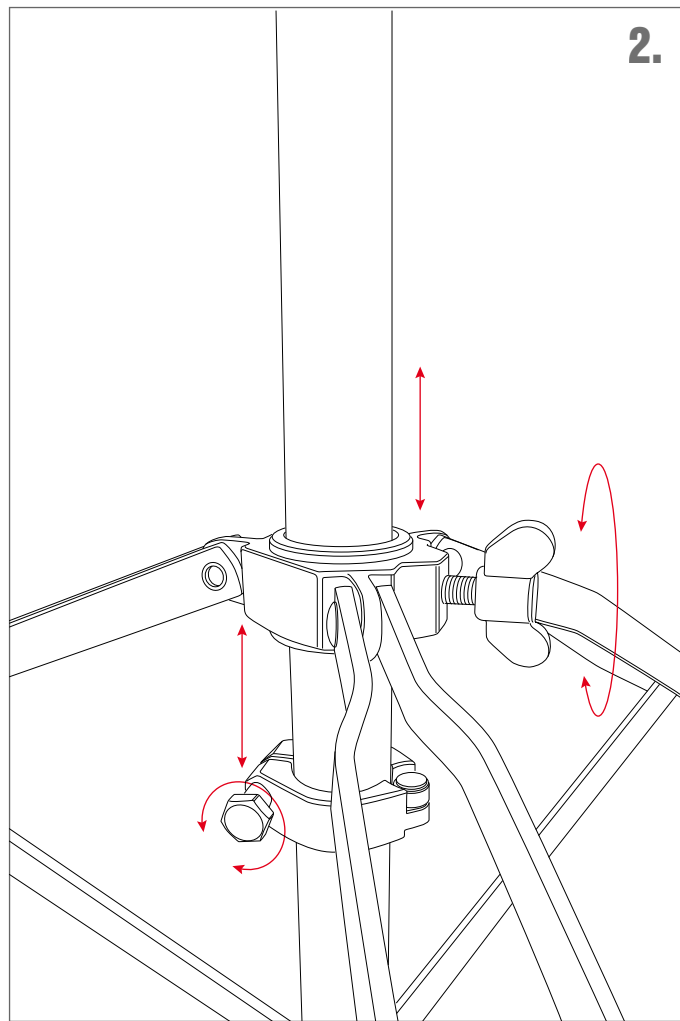
ASSEMBLY INSTRUCTION

ERGO TABLE
TMPETS

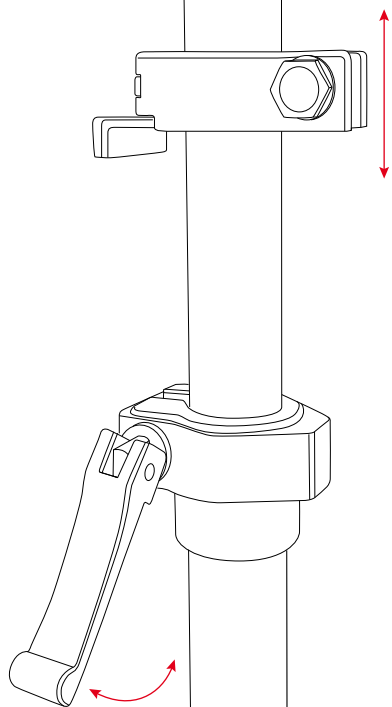
1.



2.



3.





ERGO TABLE

TMPETS

Our Ergo Percussion Table was invented by Meinl Percussion artist Taku Hirano, and it's designed for efficiency and stealth. The curved shape helps you to fit it into your set-up with no space wasted, while keeping everything within easy reach. The inner raised edge is padded, so that instruments may be picked up and set down with an absolute minimum of contact noise. Double braced legs keep it all secure and stable.

- Padded edge
- Fabric anti-slip surface
- Fully height adjustable
- Ergonomic shape for more efficiency
- Double braced tripod legs

Roland Meinl Musikinstrumente GmbH & Co. KG
Musik-Meinl-Str. 1, 91468 Gutenstetten, Germany
info@meinlpercussion.com
meinlpercussion.com