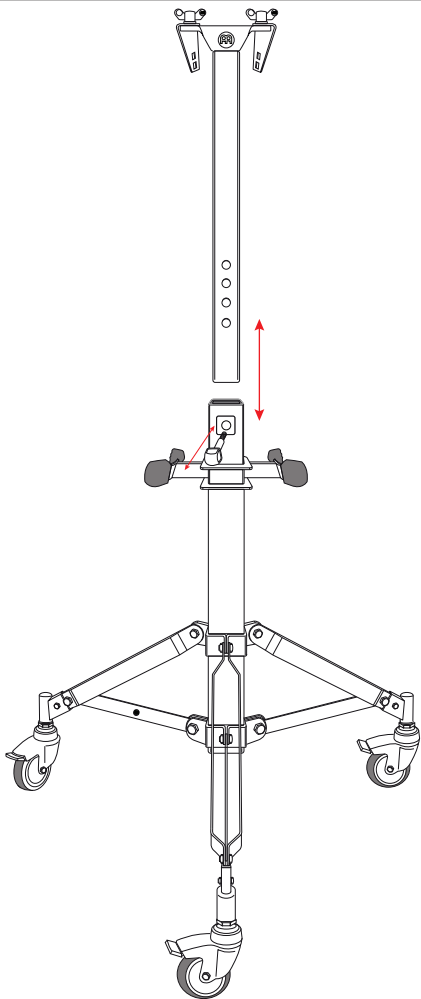




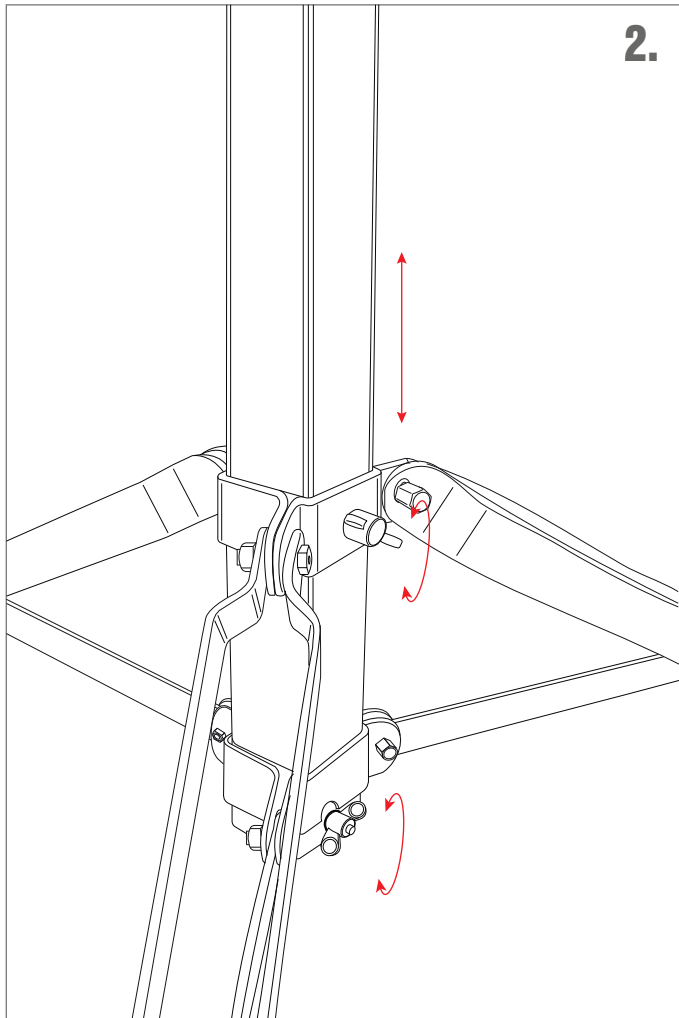
ASSEMBLY INSTRUCTION

PROFESSIONAL CONGA DOUBLE STAND TMPDS

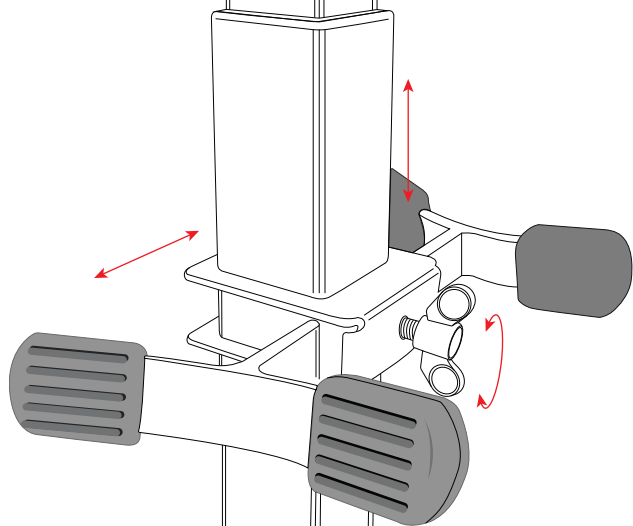
1.



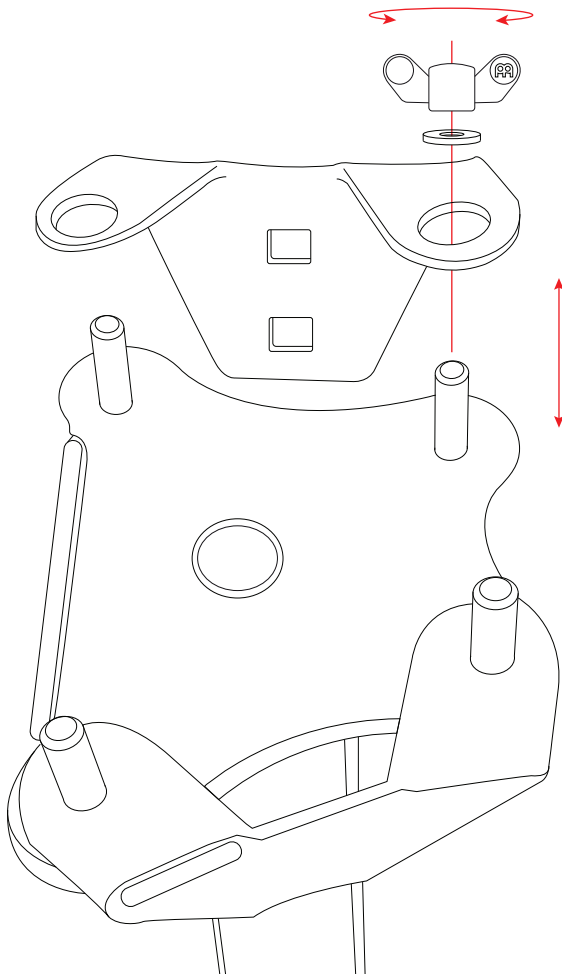
2.



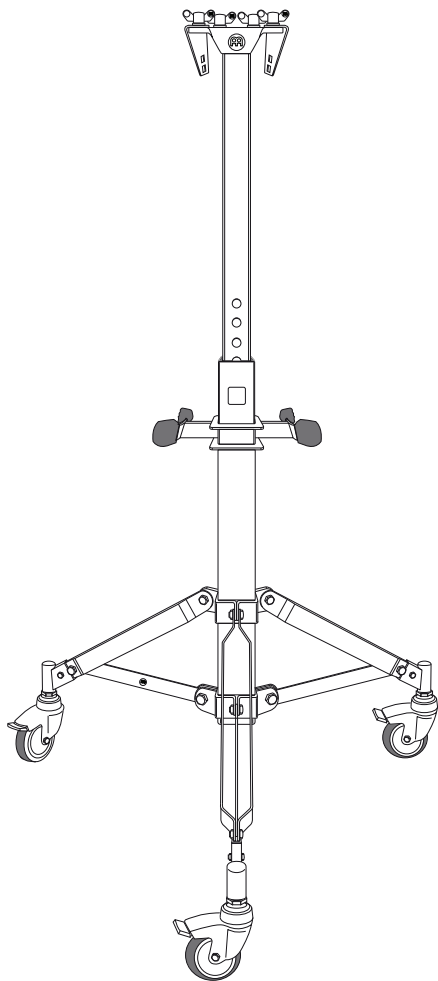
3.



4.



5.





PROFESSIONAL CONGA DOUBLE STAND

TMPDS

- Height adjustable
- Heavy construction
- Double braced tripod legs
- Lockable high-quality wheels
- Padded separators for adjustable angle
- Mounting description

Roland Meinl Musikinstrumente GmbH & Co. KG
Musik-Meinl-Str. 1, 91468 Gutenstetten, Germany
info@meinlpercussion.com
meinlpercussion.com